

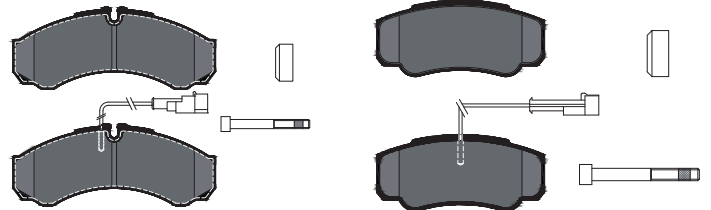
RANGE UPDATE

Brake Pads for the new Nissan NT400



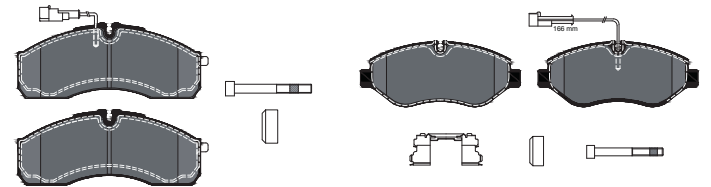
Part-No.: 2392103 + 2912113

Make	Model	Type	Year	Axle	Part-No.
NISSAN	NT400 CABSTAR Dumptruck (F24F)	35.15, 45.15	09/16-	rear	2392103
NISSAN	NT400 CABSTAR Dumptruck (F24F)	35.13	09/16-	rear	2392103
NISSAN	NT400 CABSTAR Dumptruck (F24F)	35.15, 45.15	09/16-	rear	2912113



Part-No.: 2922902 + 2932701

Make	Model	Type	Year	Axle	Part-No.
NISSAN	NT400 CABSTAR Dumptruck (F24F)	35.13	09/16-	front	2922902
NISSAN	NT400 CABSTAR Dumptruck (F24F)	35.15, 45.15	09/16-	front	2922902
NISSAN	NT400 CABSTAR Dumptruck (F24F)	35.15, 45.15	09/16-	front	2932701



Utilising cutting-edge brake technology, Textar brakes are precision engineered to offer maximum safety, performance and comfort. This uncompromising approach has been the very ethos of Textar for more than 100 years. And it's the reason why Textar remains a trusted partner to the world's leading vehicle manufacturers today.

For further product information please visit:



www.textar.com

RANGE UPDATE

Brake Pads for the new Nissan NT400

TEXTAR
BRAKE TECHNOLOGY

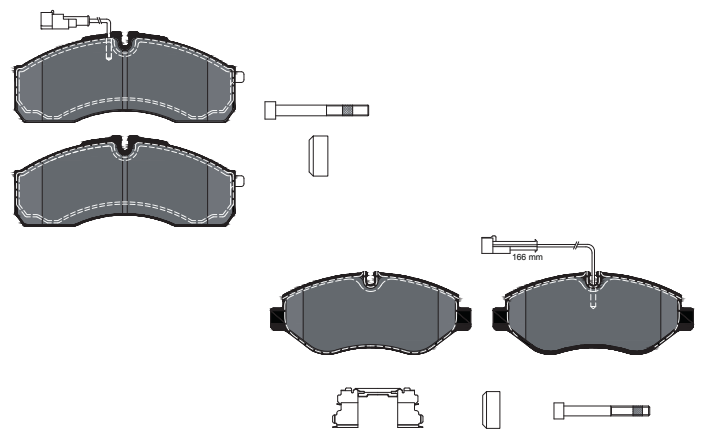
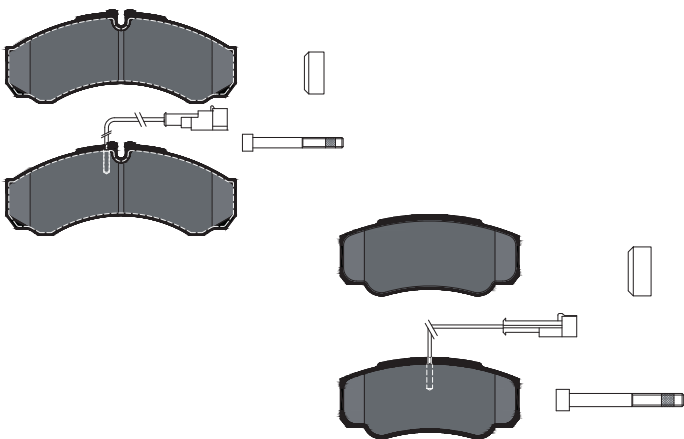


Part-No.: 2392103 + 2912113

Make	Model	Type	Year	Axle	Part-No.
NISSAN	NT400 CABSTAR Dumptruck (F24F)	35.15, 45.15	09/16-	rear	2392103
NISSAN	NT400 CABSTAR Dumptruck (F24F)	35.13	09/16-	rear	2392103
NISSAN	NT400 CABSTAR Dumptruck (F24F)	35.15, 45.15	09/16-	rear	2912113

Part-No.: 2922902 + 2932701

Make	Model	Type	Year	Axle	Part-No.
NISSAN	NT400 CABSTAR Dumptruck (F24F)	35.13	09/16-	front	2922902
NISSAN	NT400 CABSTAR Dumptruck (F24F)	35.15, 45.15	09/16-	front	2922902
NISSAN	NT400 CABSTAR Dumptruck (F24F)	35.15, 45.15	09/16-	front	2932701



Utilising cutting-edge brake technology, Textar brakes are precision engineered to offer maximum safety, performance and comfort. This uncompromising approach has been the very ethos of Textar for more than 100 years. And it's the reason why Textar remains a trusted partner to the world's leading vehicle manufacturers today.

For further product information please visit:



www.textar.com

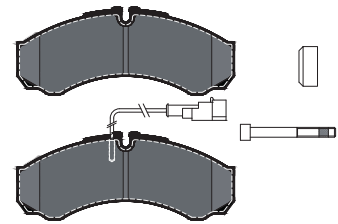
RANGE UPDATE

Brake Pads for the new Nissan NT400



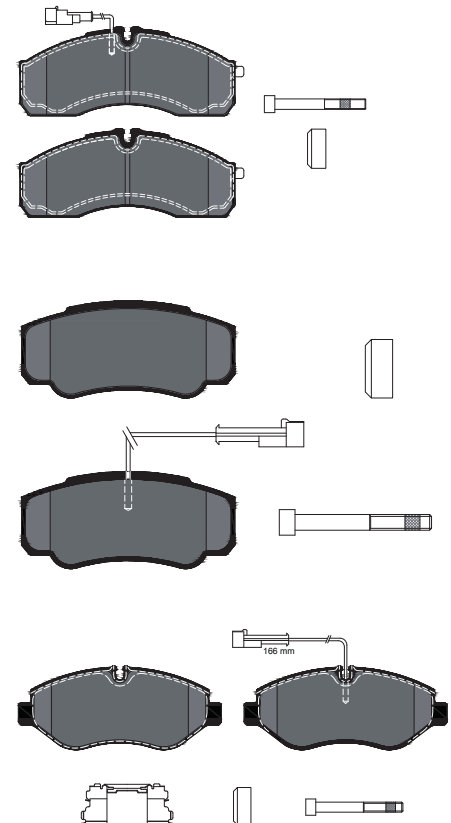
Part-No.: 2392103 + 2912113

Make	Model	Type	Year	Axle	Part-No.
NISSAN	NT400 CABSTAR Dumptruck (F24F)	35.15, 45.15	09/16-	rear	2392103
NISSAN	NT400 CABSTAR Dumptruck (F24F)	35.13	09/16-	rear	2392103
NISSAN	NT400 CABSTAR Dumptruck (F24F)	35.15, 45.15	09/16-	rear	2912113



Part-No.: 2922902 + 2932701

Make	Model	Type	Year	Axle	Part-No.
NISSAN	NT400 CABSTAR Dumptruck (F24F)	35.13	09/16-	front	2922902
NISSAN	NT400 CABSTAR Dumptruck (F24F)	35.15, 45.15	09/16-	front	2922902
NISSAN	NT400 CABSTAR Dumptruck (F24F)	35.15, 45.15	09/16-	front	2932701



Utilising cutting-edge brake technology, Textar brakes are precision engineered to offer maximum safety, performance and comfort. This uncompromising approach has been the very ethos of Textar for more than 100 years. And it's the reason why Textar remains a trusted partner to the world's leading vehicle manufacturers today.

For further product information please visit:



Visit us on Facebook

www.textar.com